



E3VR-45R 45 Degree Vertical Bike Park

The E3VR-45R provides angled vertical parking, reducing the distance a bicycle extends from the wall or mounting post by 25%. The bike enters this rack from the **right** of centre, making it ideal for narrow spaces.

The E3VR-45R can be mounted directly to existing walls or to the E3VR-P mounting post. It gently cradles the front wheel, ensuring bike safety and easy access parking. Best suited for indoor or covered areas such as car parks and bike storage rooms, the E3VR-45R is a space-efficient solution. For bikes with front wheel fenders or mudguards, the E3VR-F model is recommended.

E3VR-45R bike racks comply with AS2890.3 (2015) requirements.

Quality & Durability

Capacity

- 1 bike per rack

Construction

- Heavy duty high quality steel
- 16mm CHS x 1.2mm

Fixings

- 3 x M8 x 40mm pin head torx security screws with tool, washers and nylon wallplugs included

Assembly

- Supplied fully welded and assembled. For pole mounted option, assembly to pole E3VR-P required

Finishes

- In Stock - Yellow Powder Coat
- Option - Colour Powder Coat (Standard colour range)

Ideal for

- Office buildings
- Residential complexes
- Schools and universities
- Indoor or covered car parks
- Bike storage rooms
- Shopping centres and malls
- Public transport stations

Finishes

- HDG steel frames
- Powder Coated 1.5mm galvanised steel panels
- Option - powder coating of complete locker (frames and panels)



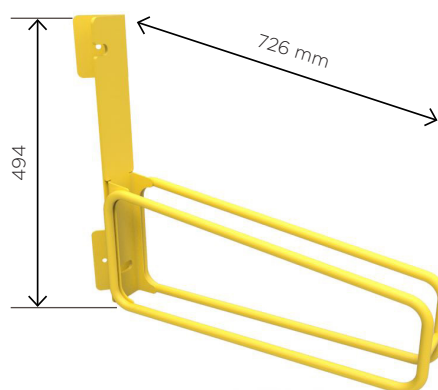
DOUBLE RACK 45L POLE MOUNTED



SINGLE RACK 45L POLE MOUNTED

E3VR45-R

E3VR45-R Vertical Wall or Post Mounted Bike Rack

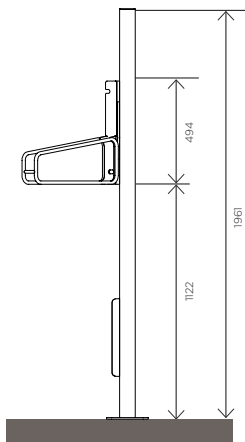


Contact us today

Freephone **0508 4 URBAN** or visit urbaneffects.co.nz

E3VR-45R 45 Degree Vertical Bike Park

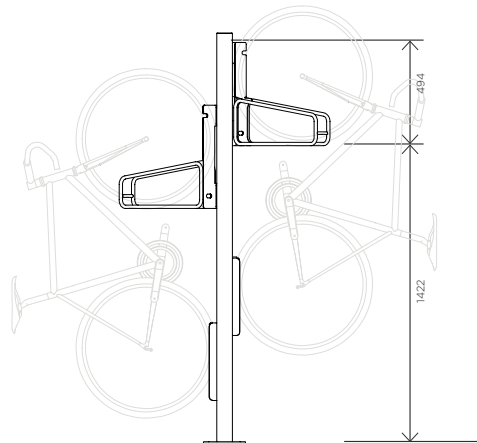
Product Specification Sheet



Side View
Single Rack

For single mounted racks

If mounting only one rack, the rack should be fixed in lower position to minimise lifting for the cyclist.



Side View
Double Rack

For double mounted racks,

Rack location on post should be alternated, on both sides of post

E3VR45-L POLE MOUNT LAYOUT GUIDE

To comply with AS2890.3 (2015) minimum 710mm spacing between posts centres and to edge of walls or other obstructions is required.

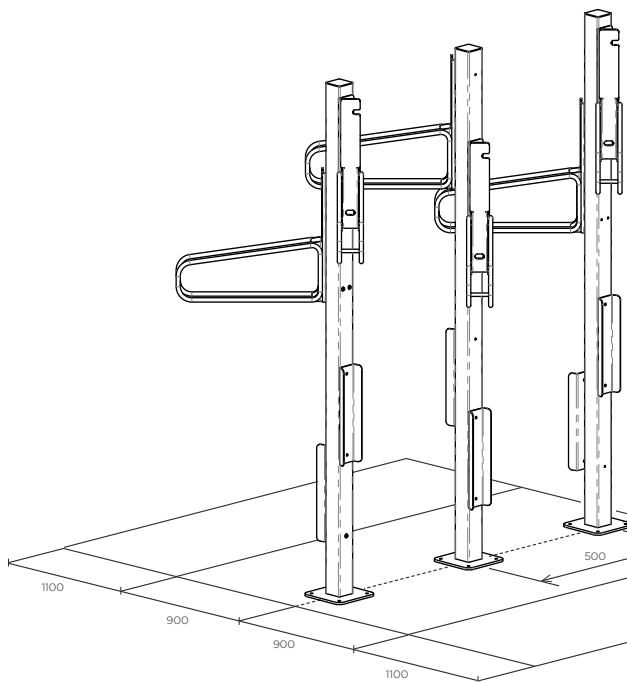
Reduced spacings are possible where compliance with AS2890.3 (2015) is not required.

For specific assembly and installation instructions relating to E3VR Series racks, please refer to individual instruction information sheets.

E3VR45-L & E3VR45-R Combo

A combination of E3VR45L and E3VR45R can be combined in the same install however the two rack types can not be combined on the same side of the posts.

Racks should not be installed, based on the information on this sheet alone.

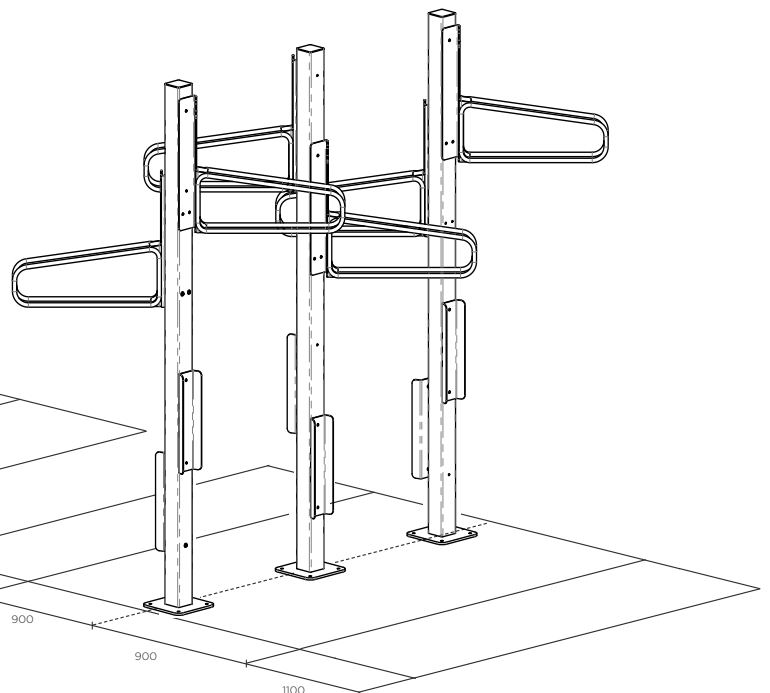


Access dimensions

45 degree angle mounts are useful for areas with limited space for access aisle, and reduce spacing requirements by 30%.

E3VR-45 mounted either left or right

Racks can be mounted to both sides of post but have to be mounted in the same direction. For multiple post installations rack locations on post should be alternated, on both sides of post.



Contact us today

Freephone 0508 4 URBAN or visit urbaneffects.co.nz

E3VR-45R 45 Degree Vertical Bike Park

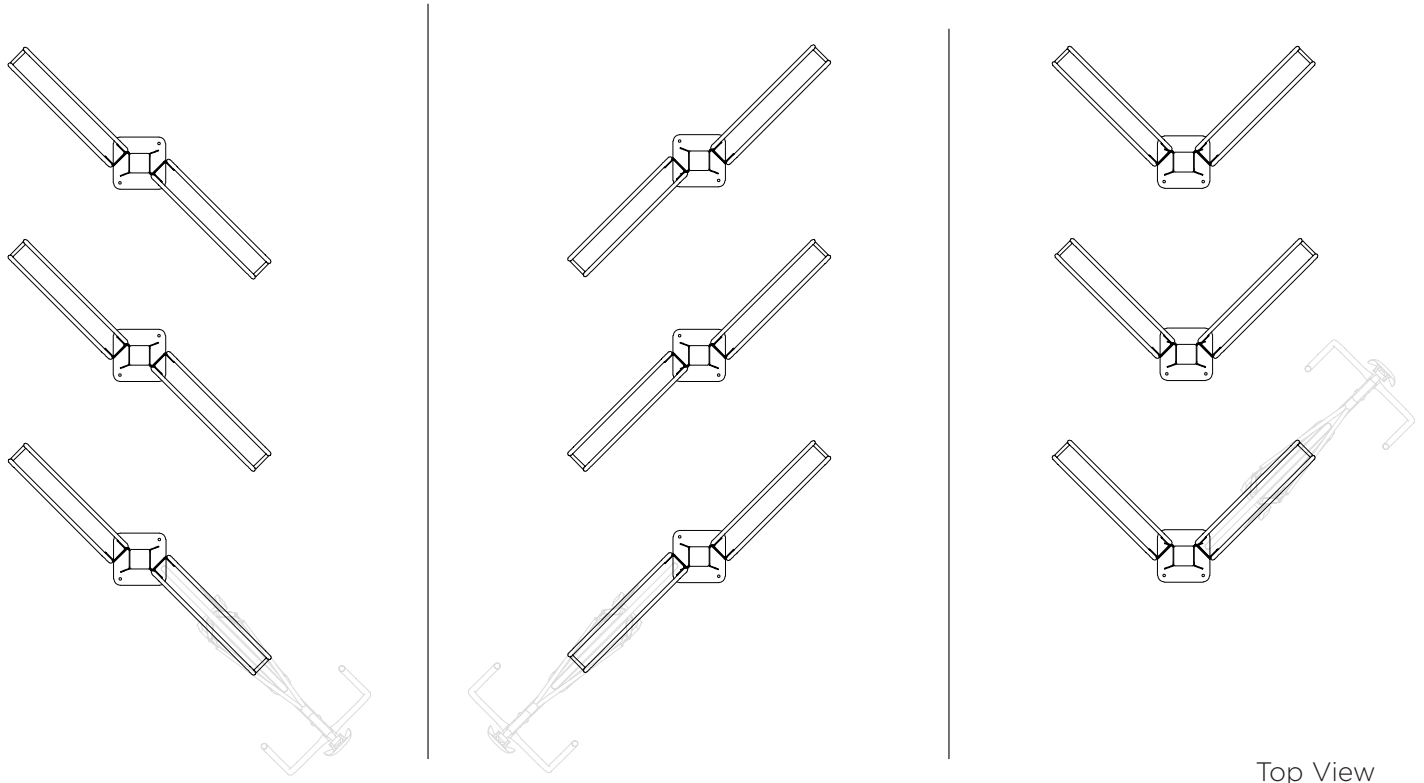
Product Specification Sheet

Assembly & Post Mounting Instructions

Configuration mounting options for E3VR45-L & E3VR-R racks

Single side, or dual side pole mount options (single or multiple pole installs)

E3VR45-R POLE MOUNT LAYOUT GUIDE



Top View

E3VR45-R Only

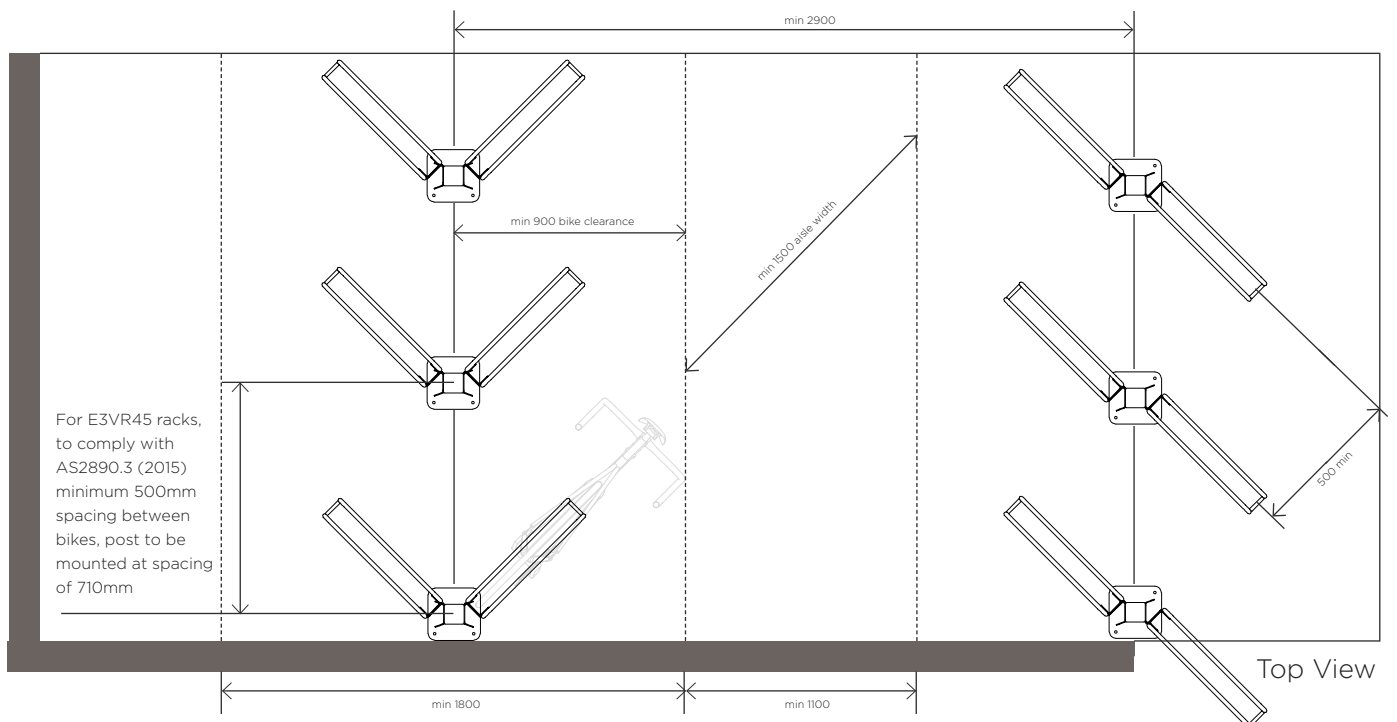
Shown mounted to both sides of E3VR-P

E3VR45-L Only

Shown mounted to both sides of E3VR-P

E3VR45-L & E3VR45-R Combo

Shown mounted to either side of E3VR-P



Top View

Configuration mounting options for E3VR45-L & E3VR-R racks

Double sided, double row layout

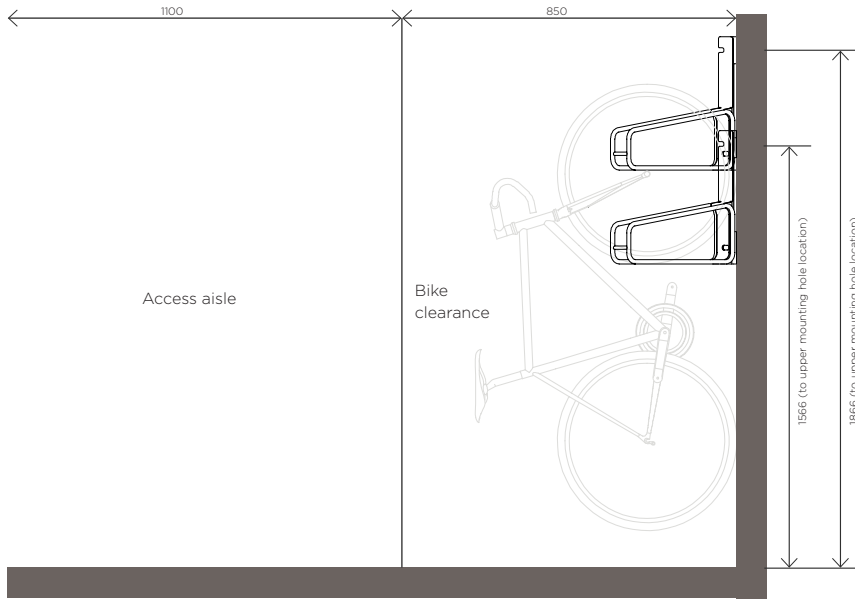
Contact us today

Freephone 0508 4 URBAN or visit urbaneffects.co.nz



E3VR-45R 45 Degree Vertical Bike Park

Product Specification Sheet



Side View

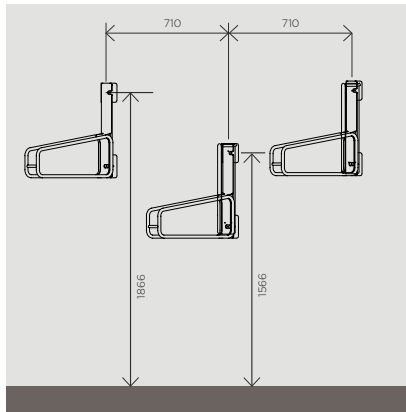
E3VR WALL MOUNT LAYOUT GUIDE

To comply with AS2890.3 (2015), 710mm spacings are shown at alternating heights.

Reduced spacings are possible where compliance with AS2890.3 (2015) is not required.

For specific assembly and installation instructions relating to E3VR Series racks, please refer to individual instruction information sheets.

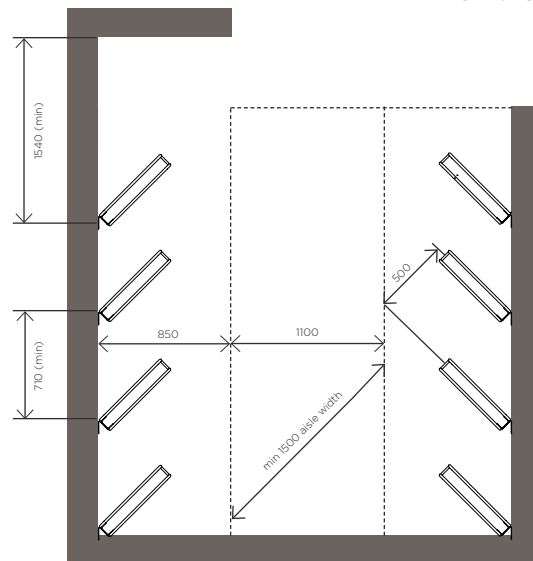
Racks should not be installed, based on the information on this sheet alone.



Front

Note: If all racks are to be mounted at the same height, racks must be spaced at 900mm centres.

* Minimum ceiling height: Staggered - 2200
Single level - 1900



Top

Access around wall mounted racks

Min. 850mm from wall for bike clearance & minimum 1500mm(diagonal) additional for access aisle

Other Vertical Bike Racks

- E3VR Vertical Bike Rack
- E3VR-F Vertical Bike Rack For Fenders
- E3VR-45L 45 Degree Vertical Bike Park
- E3VR-DYN Dynamic Vertical Bike Rack
- E3VR-P Mounting Post

To explore the complete Bike & Scooter Parking solutions, visit our website.

Contact us today

Freephone 0508 4 URBAN or visit urbaneffects.co.nz