

# MOD060 Steel Tilt Rubbish Bin

A durable and practical solution for waste disposal, this bin is made of sturdy frame and powdercoated steel body designed to handle tough environments while providing easy access for waste collection. The bin includes 60-litre liner and secure slam locks, ensuring reliability and convenience. Available with customisation options like a powdercoated frame and unique perforated patterns, it's perfect for any setting where functionality and style matter.

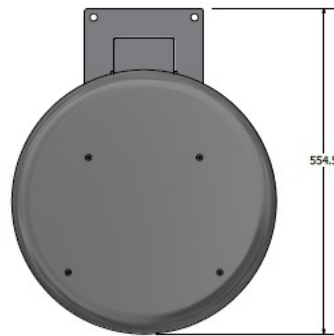


Customisation  
available

## Quality & durability

- Galvanised steel frame
- Powder coated steel body and cover
- Galvanised 60 litre liner
- HD stainless steel slam locks
- Surface mounted

## Specifications

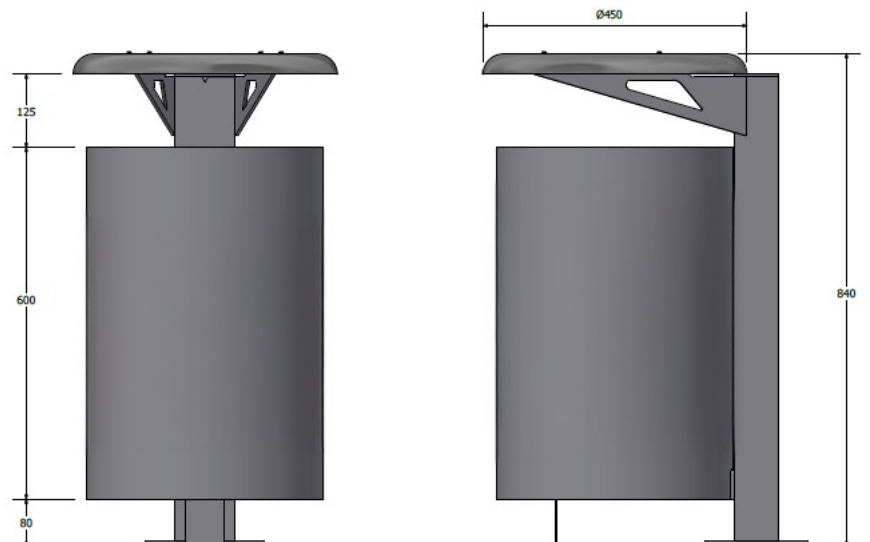


## Ideal for

- Education
- Shopping centres
- Streetscapes

## Finishes available

- Powder coated frame
- Stainless steel frame
- Custom perforated patterns on body



\*A wide range of colours are available to suit your desired colour scheme.

Contact us today

Freephone **0508 4 URBAN** or visit [urbaneffects.co.nz](http://urbaneffects.co.nz)