



# Citistyle Bin Enclosure

Make disposing of rubbish a clean and appealing part of one's outdoor experience while helping your organisation's recycling and visual amenity efforts.

Available in single or double models, each with a 240L capacity.



Customisation available



Part of a range



Environmental credentials



5 Year Structural Warranty

## Quality & durability

- Robust Aluminium top and base
- Single or double model available
- Interlocking alloy extrusion sides and door
- Vandal resistant and fire retardant
- Surface mounting
- Full 240L wheelie bin capacity
- Vandal resistant lock - keyed locks available
- Includes waste and recycling logos for efficient waste management
- Custom features
  - Rubbish and recycling bins version available
  - Custom graphics and cut-outs

## Ideal for

- Parkscapes
- Streetscapes
- Shopping centres
- Education

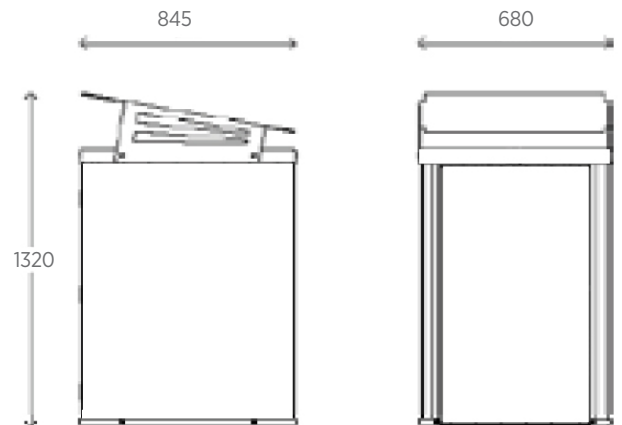
## Finish

- Surfaces powdercoated in colour of choice from our standard colour [range](#)

*\*A wide range of colours are available to suit your desired colour scheme.*

## Specifications

Citistyle Bin Enclosure (240L)



## Other products in the Citistyle range

- Citistyle Seat
- Citistyle Bench
- Citistyle Double Bench
- Citistyle Table
- Citistyle Semi Hoop (Bike Parking)
- Citistyle Narrow Hoop (Bike Parking)
- Citistyle Bollards

To view other products in the Citistyle range, visit our website

Contact us today

Freephone **0508 4 URBAN** or visit [urbaneffects.co.nz](http://urbaneffects.co.nz)