



## Denver Bus Shelter Standard with Front- 2.4m to 5m

The Denver Shelter Standard, with front panel, offers versatile configurations to suit your unique shelter needs, ensuring durable, rust-free maintenance. Its smart design provides great coverage with minimal footprint. Plus, the added front panel offers extra protection from weather elements, and with optional seating, it prioritises your convenience and weather-proof durability.



Customisation available



5-Year Structural Warranty

### Quality & durability

- Aluminium construction- 90mm posts & rails
- Mini rib galvanised steel roof
- Shelter walls constructed with 10mm safety glass
- With front panel
- Seating with space for wheelchair or strollers
- Modular design for various sizes
- Sizes available: 2.4m - 5m

### Ideal for

- Bus shelters
- Sports shelters
- Bike shelters
- Lunch shelters
- Chill out nook

### Finish

- Frame powder coated in Duralloy solid colour range of your choice.

### Options available

- Clear safety glass



- Clear safety glass with design



- Perforated Aluminium – Provides shelter with vandal resistant sides and ability to see through



- Aluminium lower panels, with glass upper panels

Contact us today

Freephone 0508 4 URBAN or visit [urbaneffects.co.nz](http://urbaneffects.co.nz)



## Denver Bus Shelter Standard with Front- 2.4m

The Denver Shelter Standard, with front panel, offers versatile configurations to suit your unique shelter needs, ensuring durable, rust-free maintenance. Its smart design provides great coverage with minimal footprint. Plus, the added front panel offers extra protection from weather elements, and with optional seating, it prioritises your convenience and weather-proof durability.

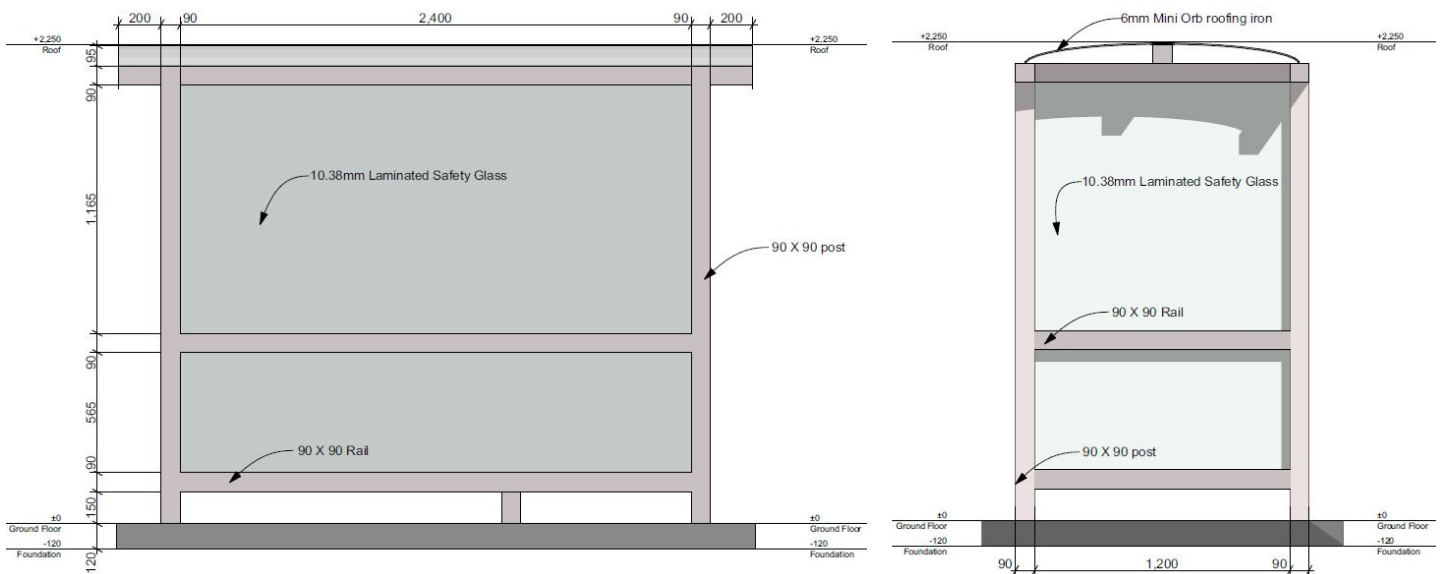
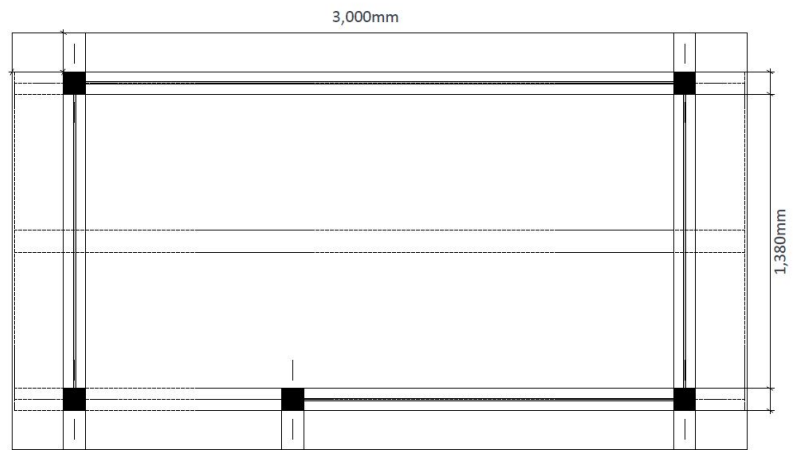
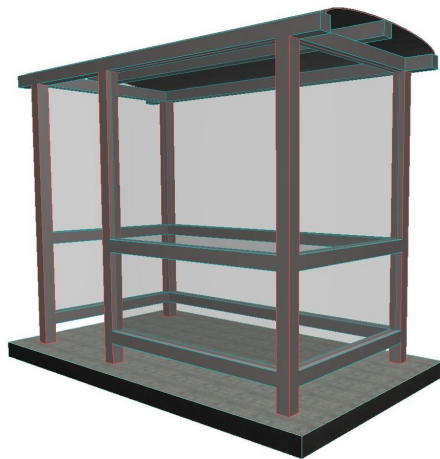


Customisation available



5-Year Structural Warranty

### Specifications



\*A wide range of colours are available to suit your desired colour scheme.

Contact us today

Freephone 0508 4 URBAN or visit [urbaneffects.co.nz](http://urbaneffects.co.nz)



# Denver Bus Shelter Standard with Front- 3m

The Denver Shelter Standard, with front panel, offers versatile configurations to suit your unique shelter needs, ensuring durable, rust-free maintenance. Its smart design provides great coverage with minimal footprint. Plus, the added front panel offers extra protection from weather elements, and with optional seating, it prioritises your convenience and weather-proof durability.

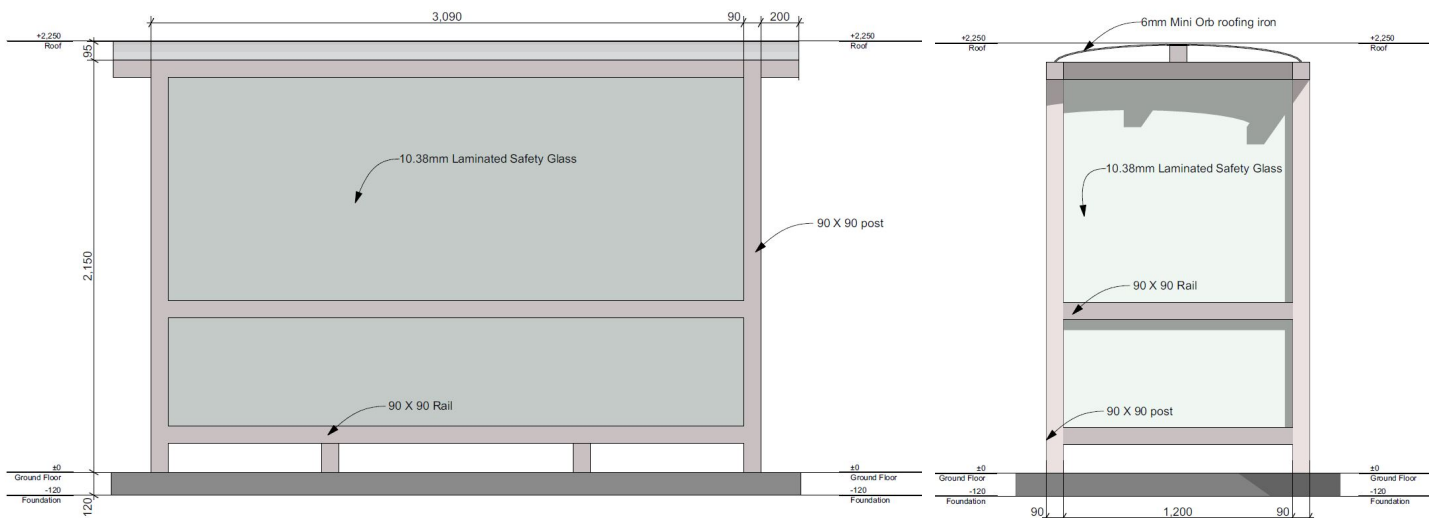
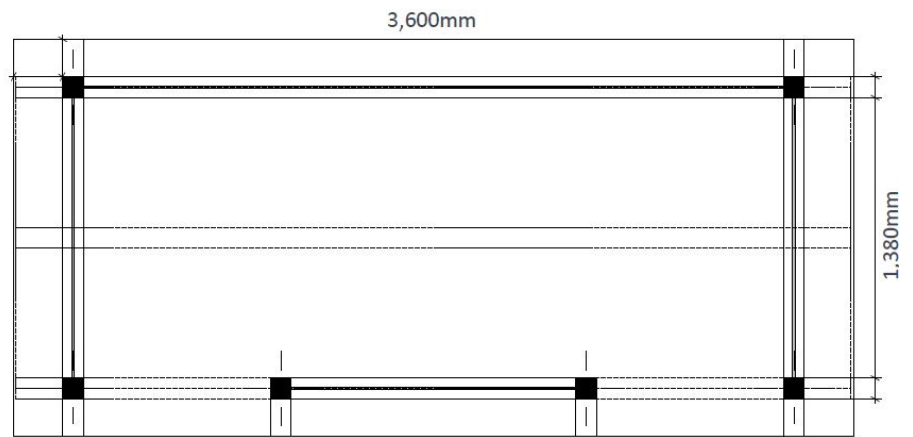
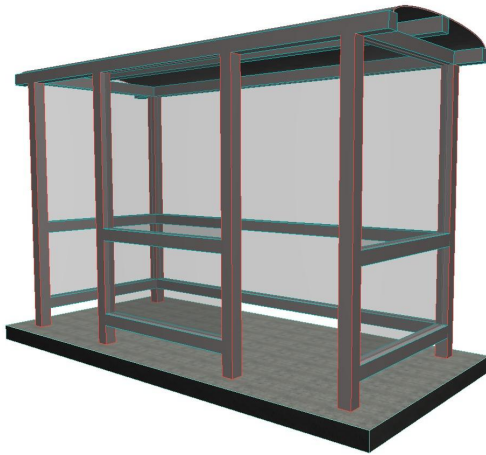


Customisation available



5-Year Structural Warranty

## Specifications



\*A wide range of colours are available to suit your desired colour scheme.

Contact us today

Freephone 0508 4 URBAN or visit [urbaneffects.co.nz](http://urbaneffects.co.nz)





## Denver Bus Shelter Standard with Front- 3.6m

The Denver Shelter Standard, with front panel, offers versatile configurations to suit your unique shelter needs, ensuring durable, rust-free maintenance. Its smart design provides great coverage with minimal footprint. Plus, the added front panel offers extra protection from weather elements, and with optional seating, it prioritises your convenience and weather-proof durability.

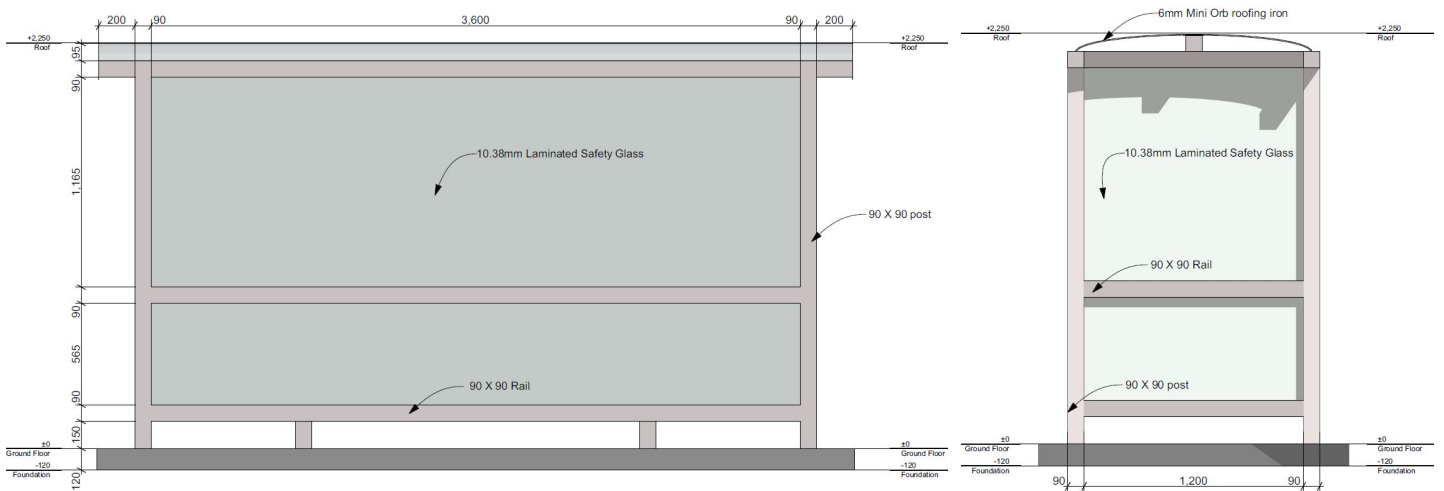
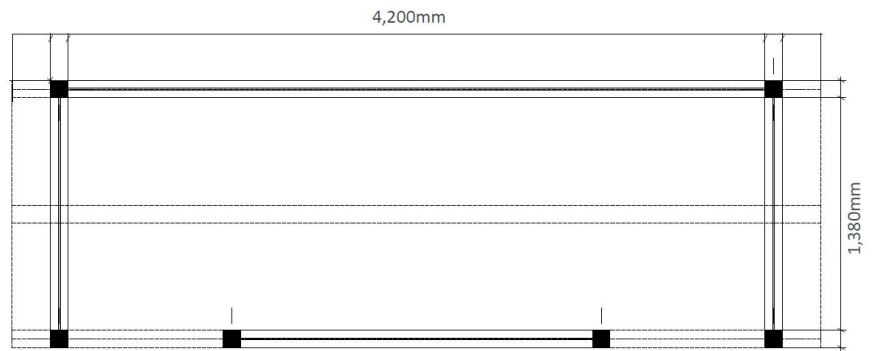
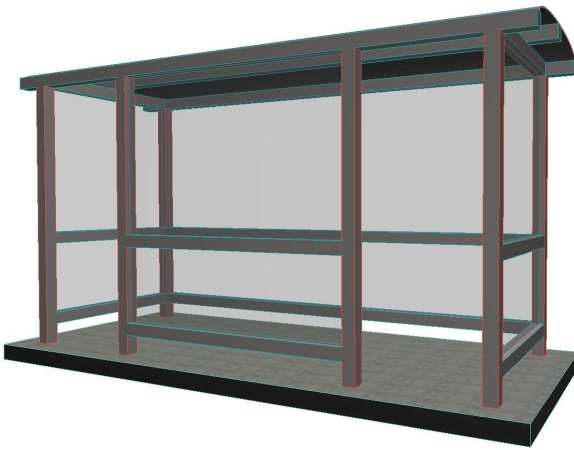


Customisation available



5-Year Structural Warranty

### Specifications



\*A wide range of colours are available to suit your desired colour scheme.

Contact us today

Freephone 0508 4 URBAN or visit [urbaneffects.co.nz](http://urbaneffects.co.nz)





# Denver Bus Shelter Standard with Front- 5m

The Denver Shelter Standard, with front panel, offers versatile configurations to suit your unique shelter needs, ensuring durable, rust-free maintenance. Its smart design provides great coverage with minimal footprint. Plus, the added front panel offers extra protection from weather elements, and with optional seating, it prioritises your convenience and weather-proof durability.

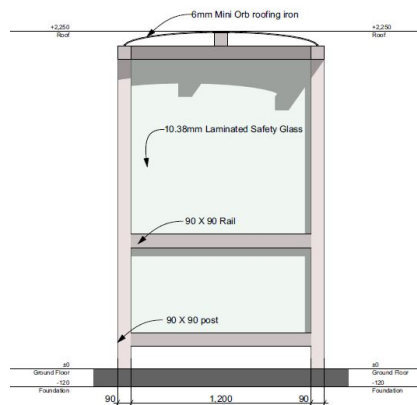
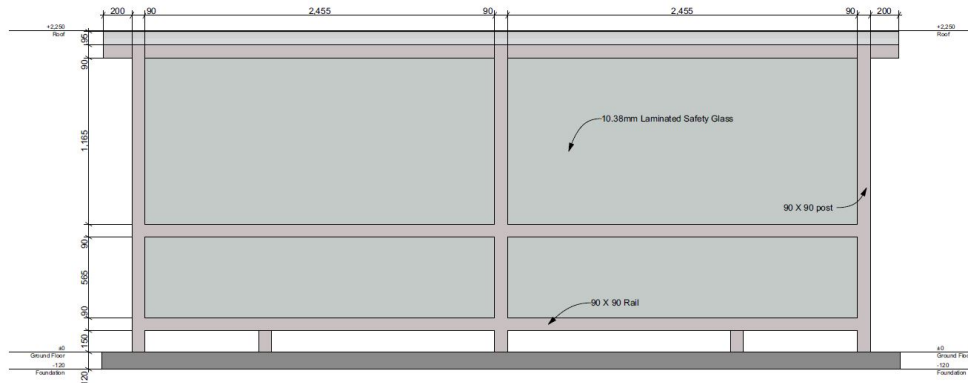
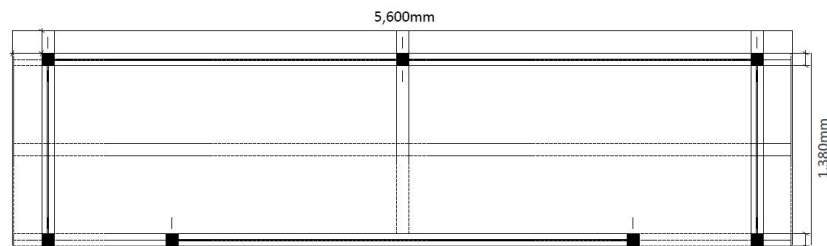
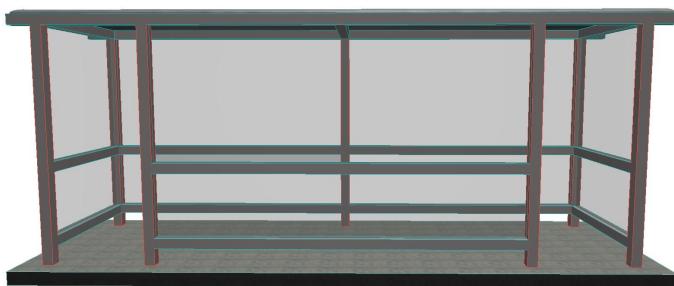


Customisation available



5-Year Structural Warranty

## Specifications



\*A wide range of colours are available to suit your desired colour scheme.

Contact us today

Freephone 0508 4 URBAN or visit [urbaneffects.co.nz](http://urbaneffects.co.nz)

