

Volo Seat

The Volo Seat is a stunning design, made from a single piece of purposefully shaped, laser cut sheet steel. Seat and backrest are brought together with stainless steel accessories. Available in two lengths – 900mm and 1800mm and there are a variety of finishes available to choose from.



Part of a range

Quality & durability

- Hot dipped galvanised & powder coated or Corten Steel
- All fixings stainless steel

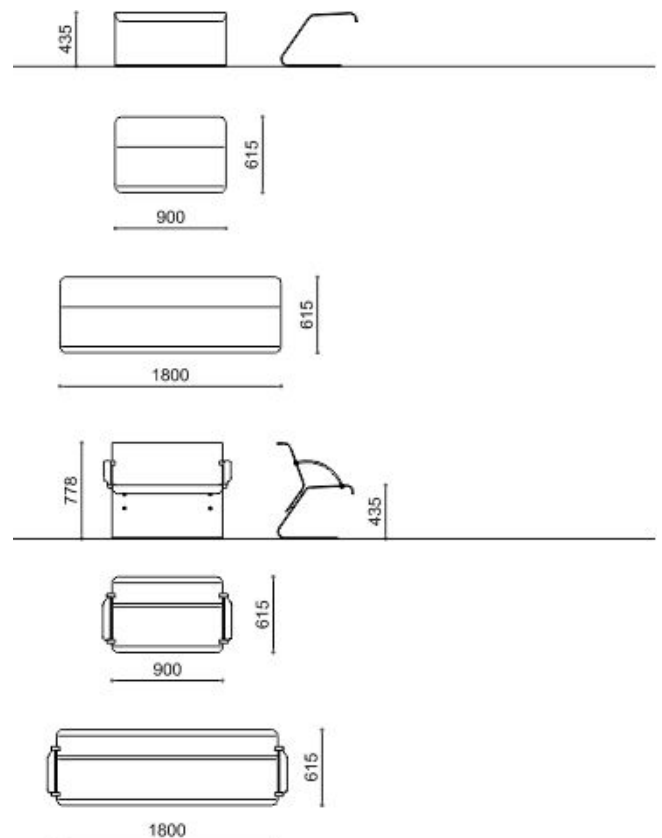
Ideal for

- Schools
- Sub-divisions
- Quality designed urban areas
- Streetscapes

Finishes available

- Galvanised & powdercoated in selected RAL colours
- Corten finish
- Aluminium armrests supplied with Backrest model

Specifications



Contact us today

Freephone **0508 4 URBAN** or visit urbaneffects.co.nz